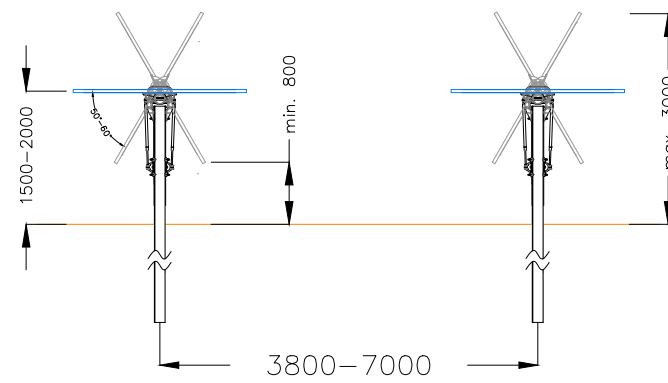


Table front view – 1 modules in portrait
 scale 1:100 @A3



Variable pitch distance depending on
 ground conditions

Table side view
 scale 1:200 @A3

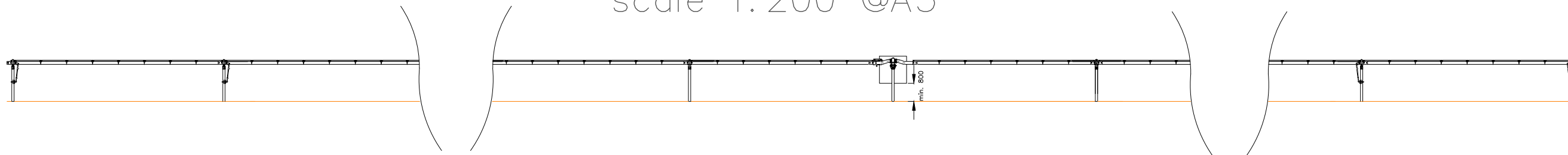
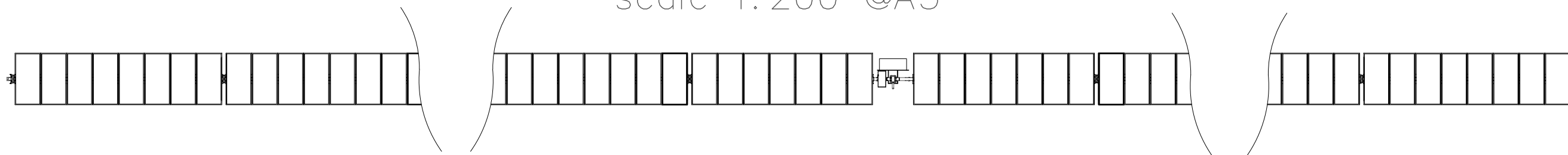


Table top view
 scale 1:200 @A3



REVISIONS:

-

NOTES:



DATE: 20 October 2021

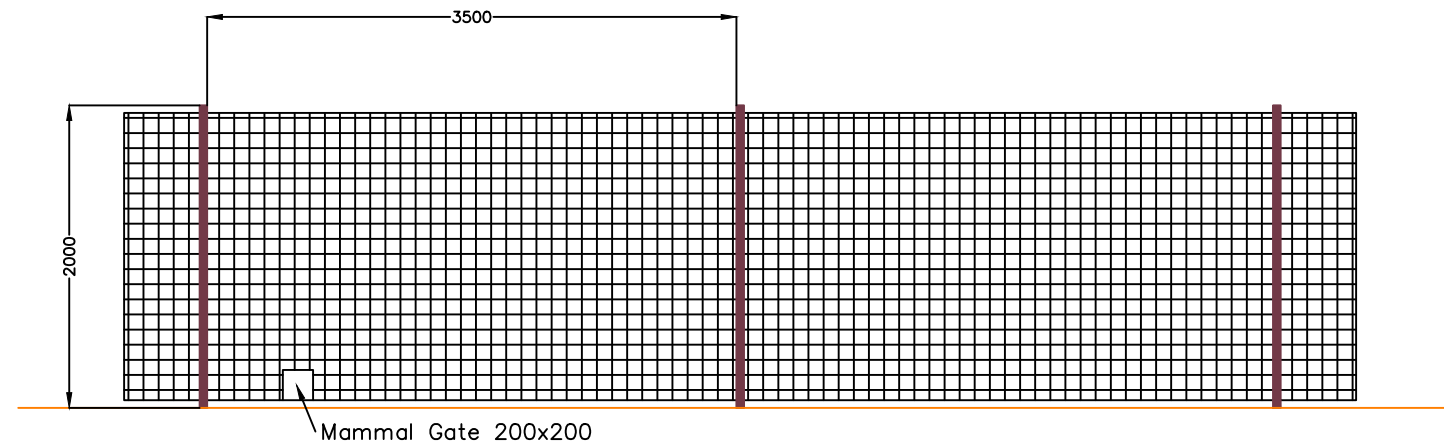
TITLE:
 Typical single axis
 tracker table details

PROJECT TITLE:
 Belvoir

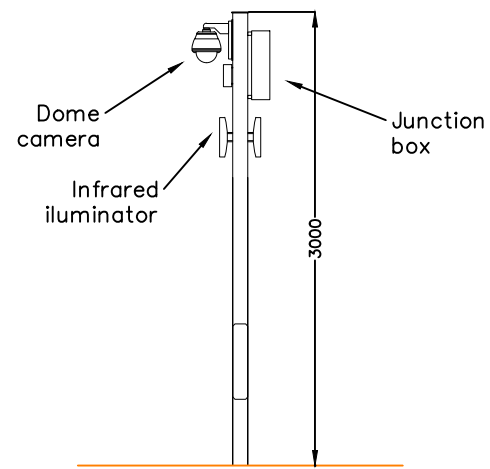
LOCATION:
 NG32 1PE

REV: A

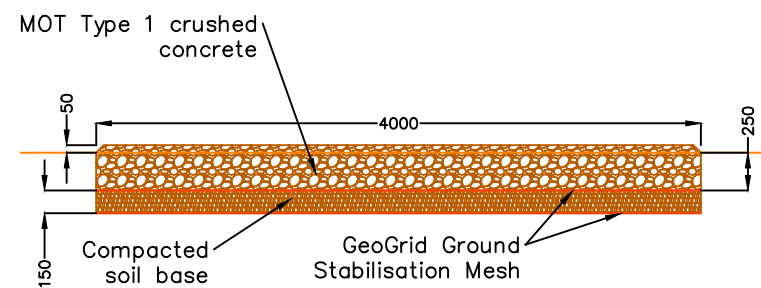
FILENAME: Typical Tracker Table
 Details.dwg



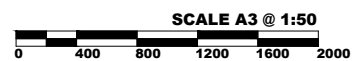
Timber post & wire fence



CCTV pole



Access track cross section



REVISIONS:
- Initial design

NOTES:
-



DATE: 20 October 2021

TITLE:
Fence, Track & CCTV

PROJECT TITLE:
Belvoir

LOCATION:
NG32 1PE

CONFIGURATION:
-

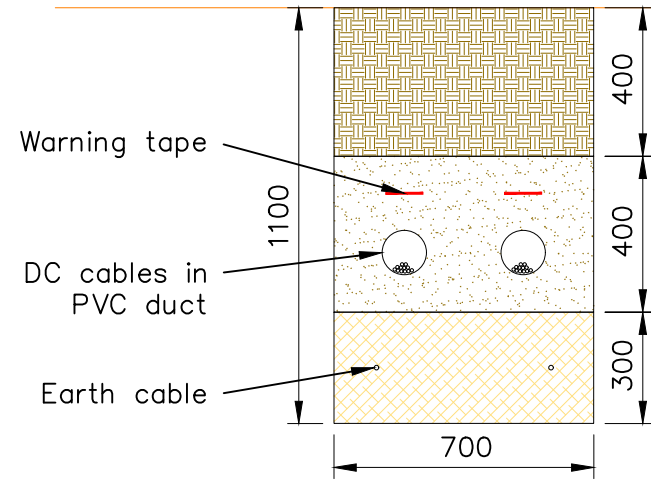
REV: A

FILENAME: Fence & CCTV details.dwg

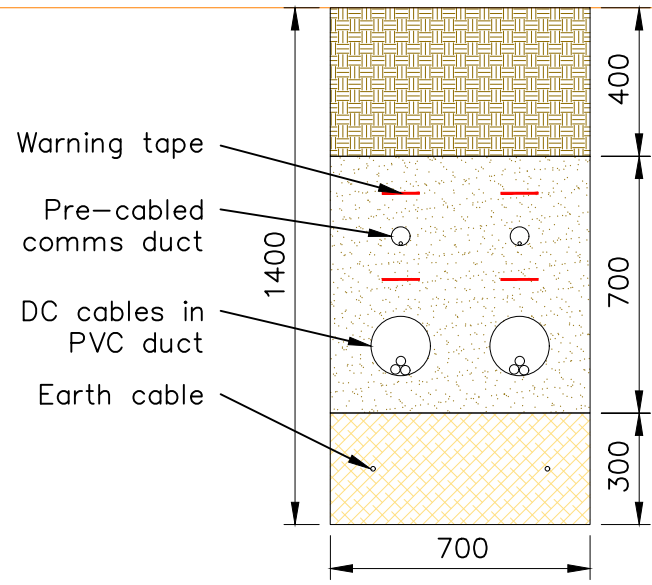
REVISIONS:
 - Initial design

NOTES:
 - Design not to scale

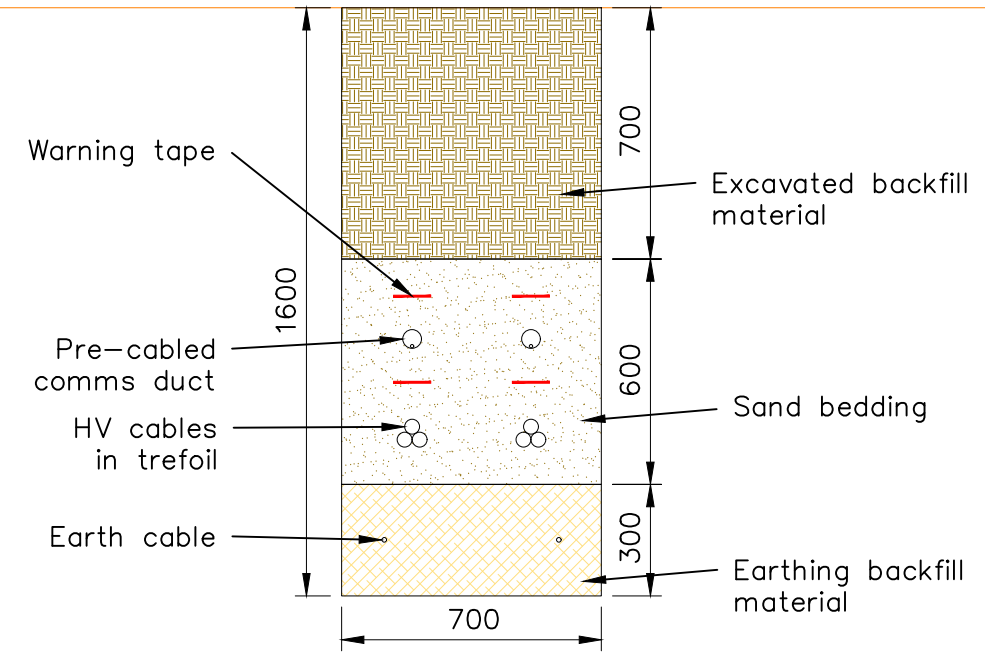
Typical DC trench open ground



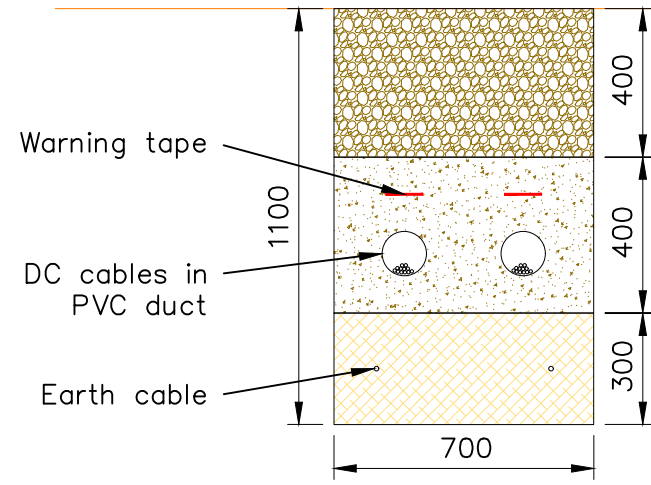
Typical LV AC trench open ground



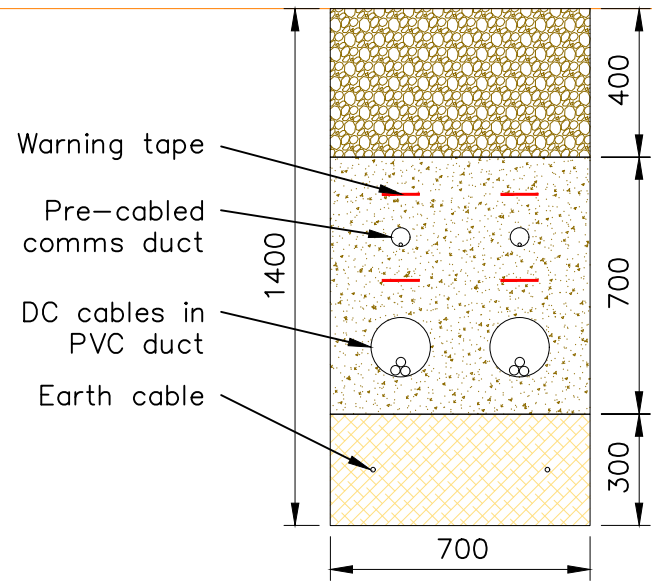
Typical HV AC trench open ground



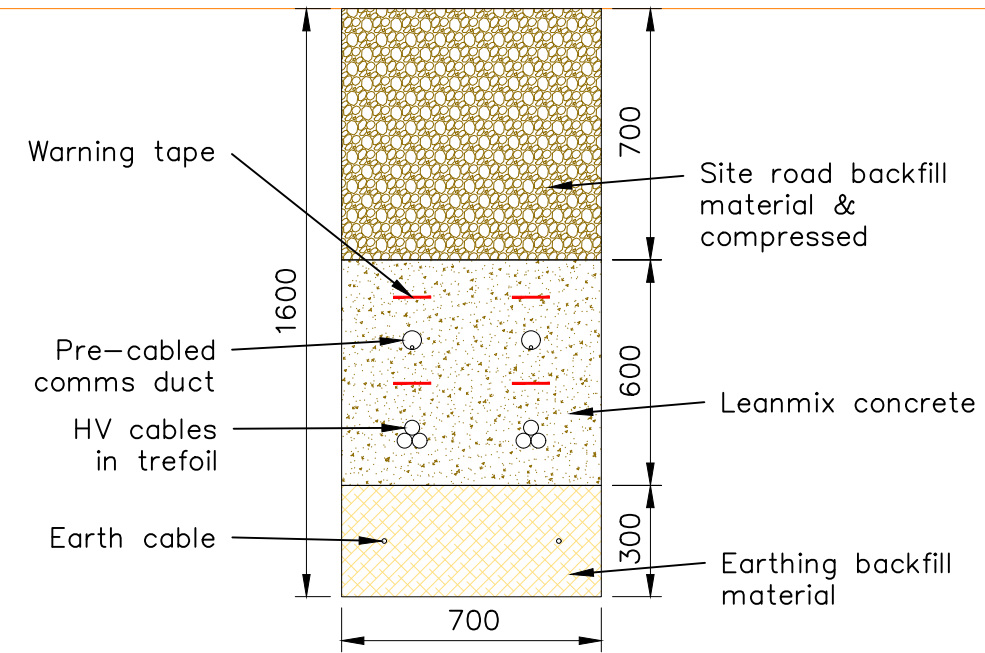
Typical DC trench roadway/crossing points



Typical LV AC trench roadway/crossing points



Typical HV AC trench roadway/crossing points



DATE: 20 October 2021

TITLE: Trench Sections Details

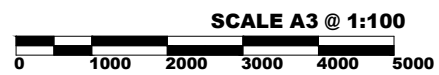
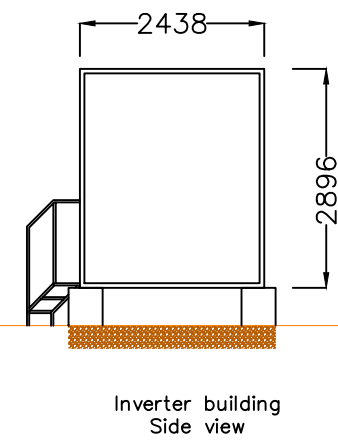
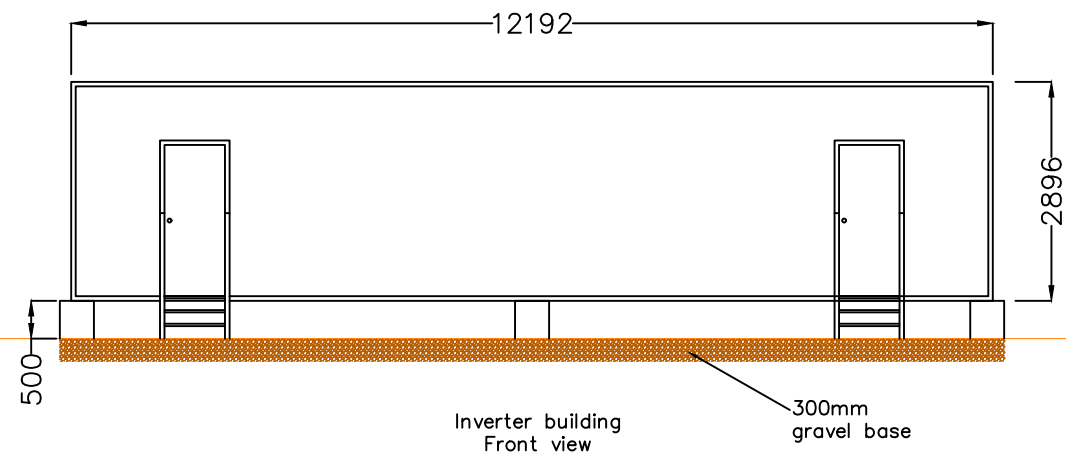
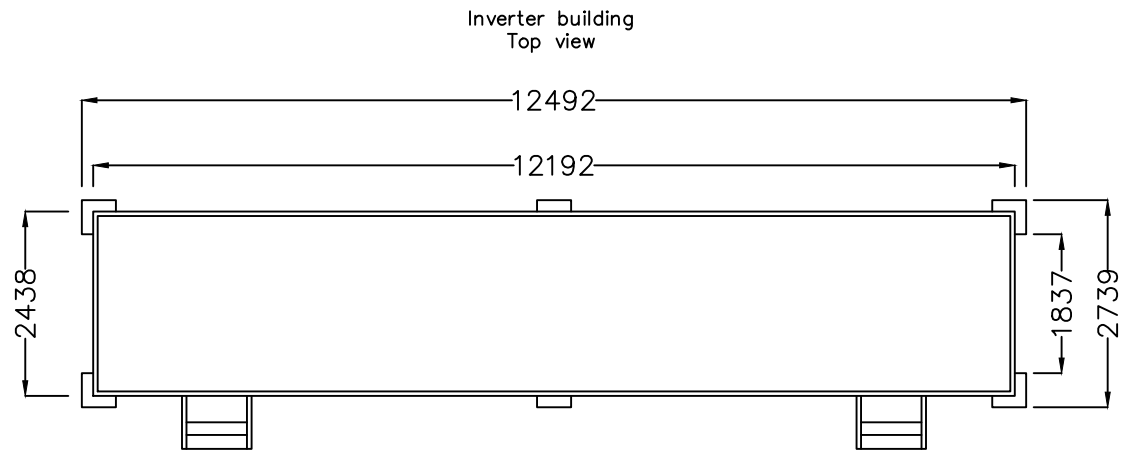
PROJECT TITLE: Belvoir

LOCATION: NG32 1PE

CONFIGURATION: -

REV: A

FILENAME: Trench Section.dwg



REVISIONS:
- Initial design

NOTES:
-



DATE: 20 October 2021

TITLE:
Inverter Station Details

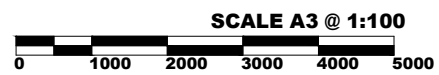
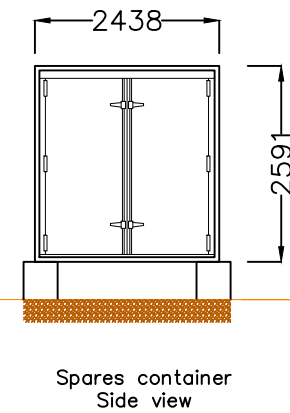
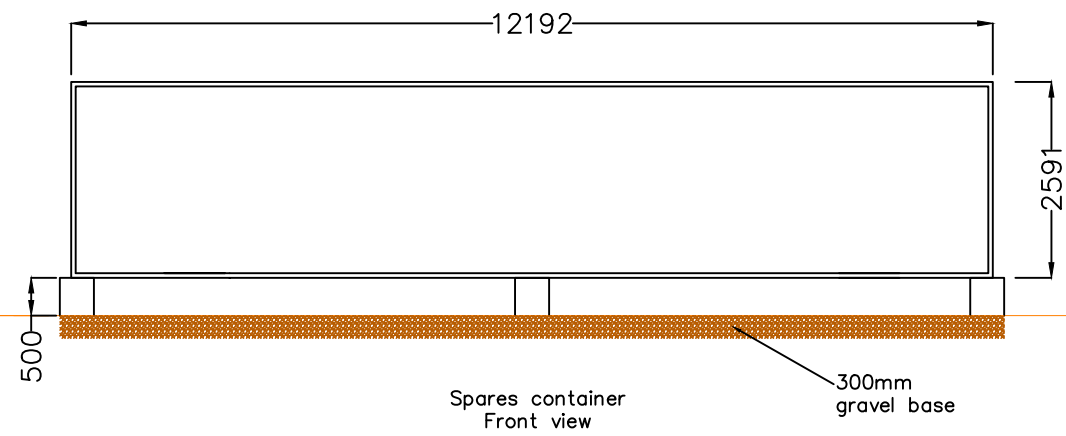
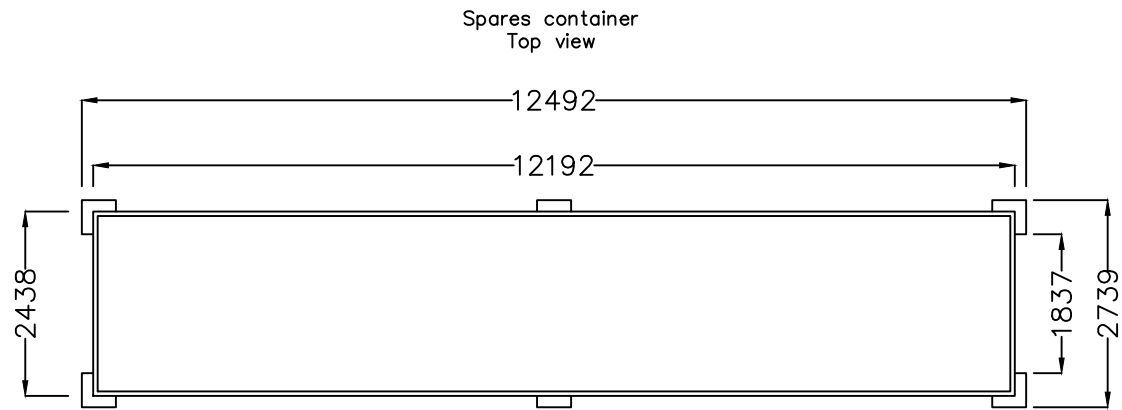
PROJECT TITLE:
Belvoir

LOCATION:
NG32 1PE

CONFIGURATION:
-

REV: A

FILENAME: Inverter Building.dwg



REVISIONS:
- Initial design

NOTES:
-



DATE: 20 October 2021

TITLE:
Spares Container
Details

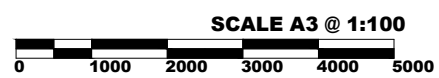
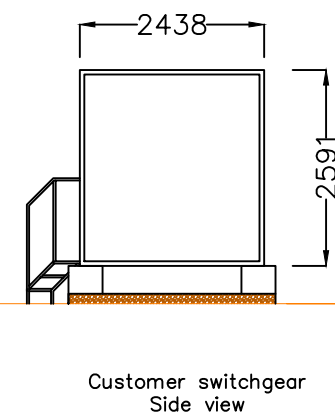
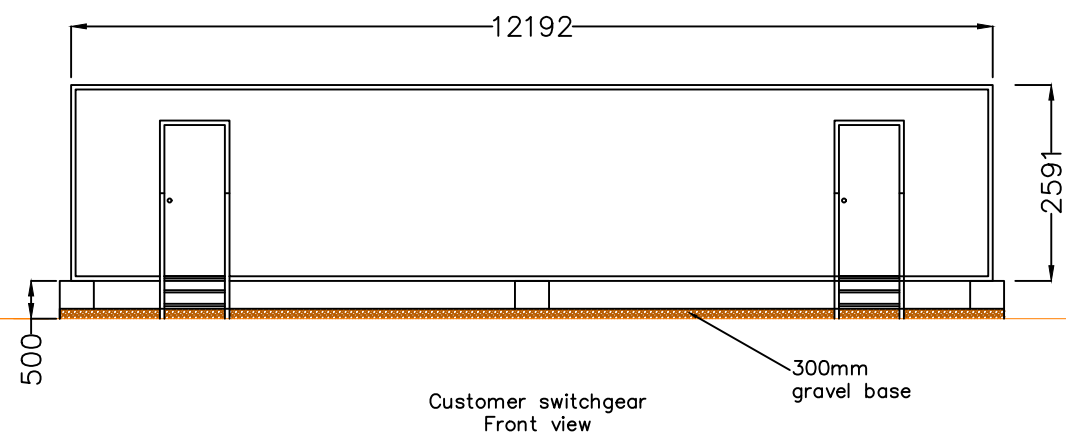
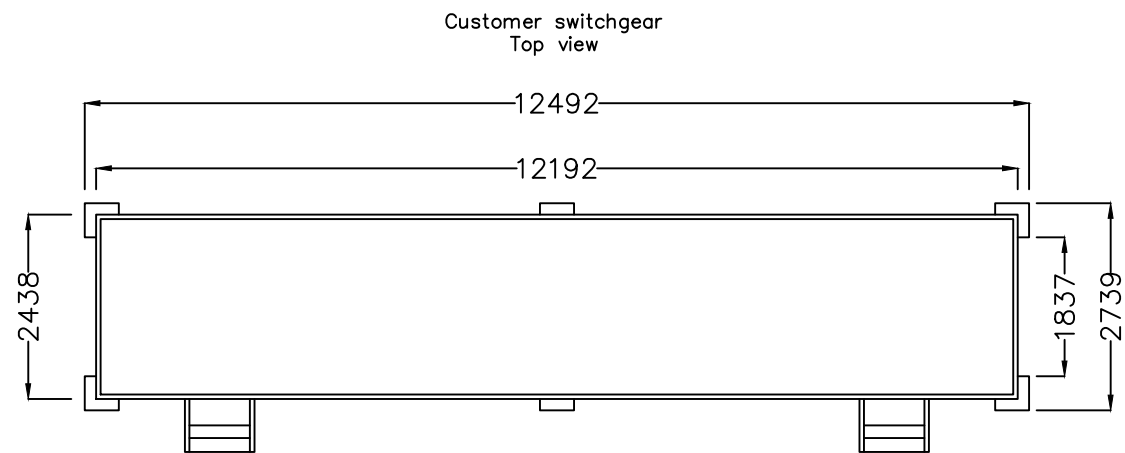
PROJECT TITLE:
Belvoir

LOCATION:
NG32 1PE

CONFIGURATION:
-

REV: A

FILENAME: Spares Container.dwg



REVISIONS:
- Initial design

NOTES:
-



DATE: 20 October 2021

TITLE:
Customer Switchgear
Details

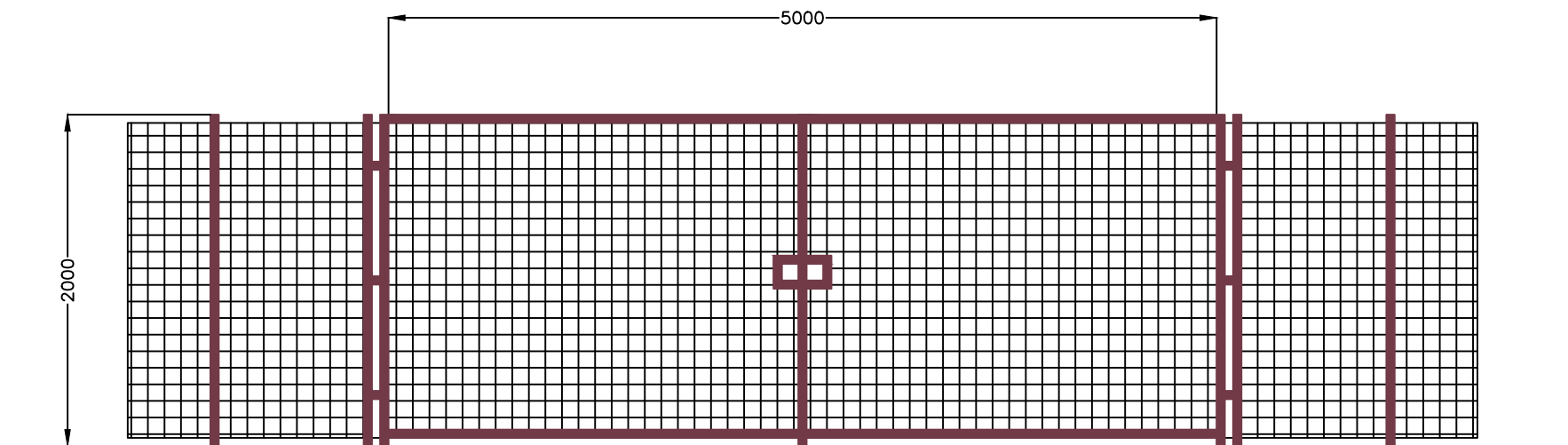
PROJECT TITLE:
Belvoir

LOCATION:
NG32 1PE

CONFIGURATION:
-

REV: A

FILENAME: Customer Switchgear.dwg



Timber post & wire gate



REVISIONS:

- Initial design

NOTES:

-



DATE: 20 October 2021

TITLE:
Access Gate

PROJECT TITLE:
Belvoir

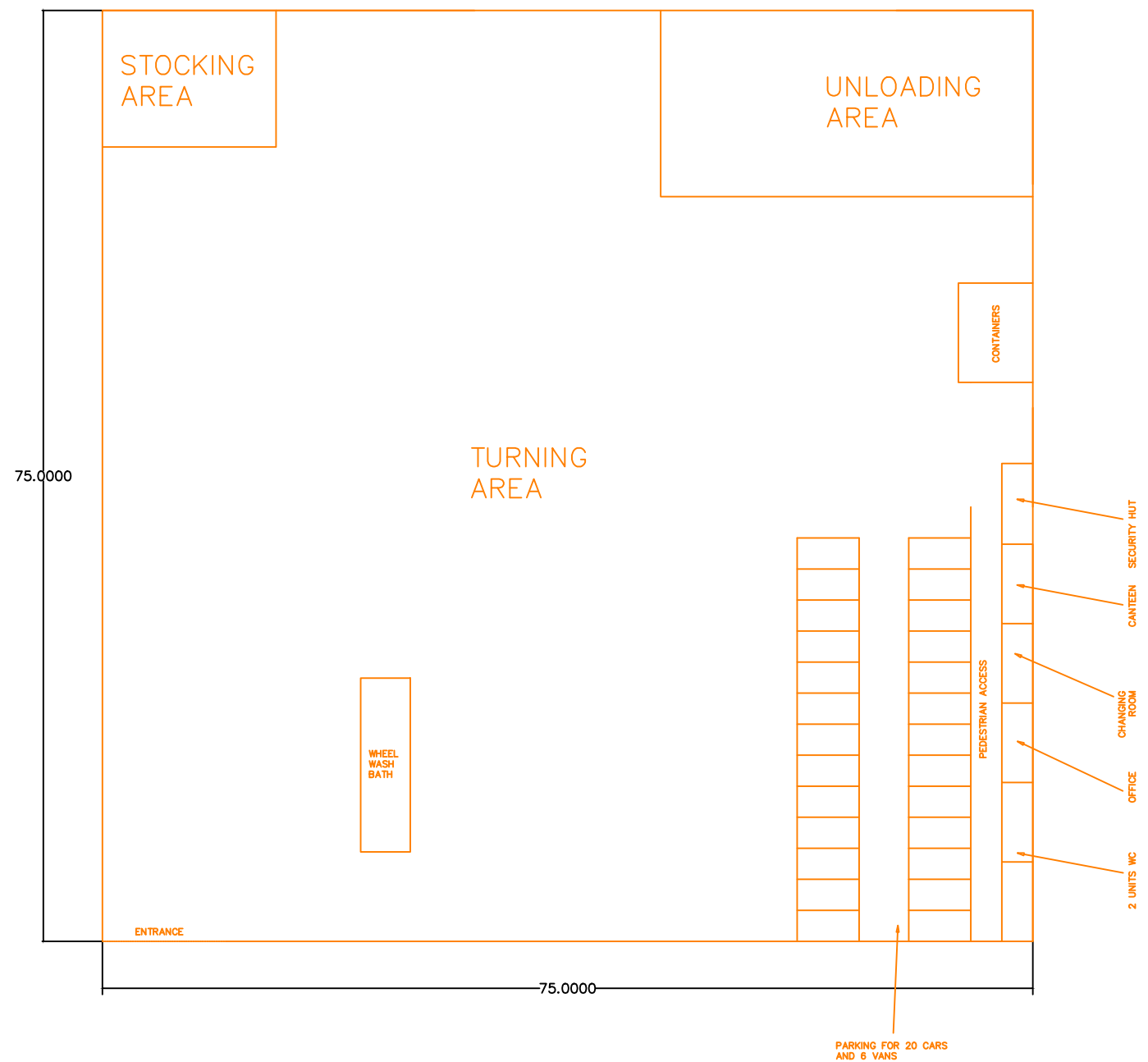
LOCATION:
NG32 1PE

CONFIGURATION:
-

REV: _____ A

FILENAME: Access Gate.dwg

REVISIONS:



DATE: 20 October 2021

TITLE:
Indicative construction compound

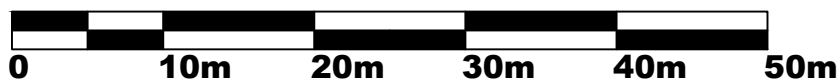
PROJECT TITLE:
Belvoir

LOCATION:
NG32 1PE

REV: A

FILENAME: Construction compound.dwg

SCALE A3 @ 1:500

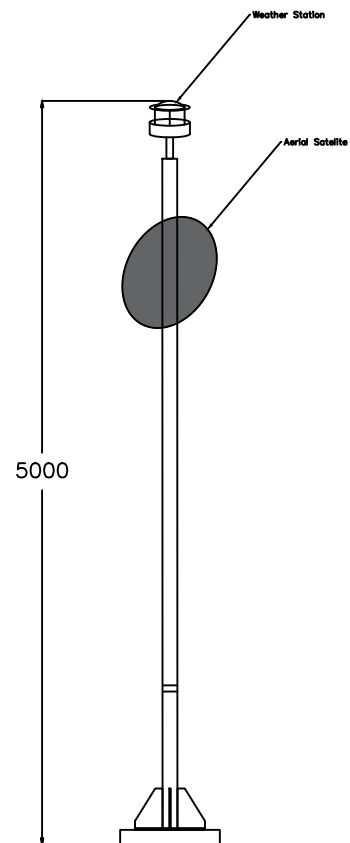


REVISIONS:

- Initial design

NOTES:

-



DATE: 20 October 2021

TITLE:
Comms and Weather
Station mast

PROJECT TITLE:
Belvoir

LOCATION:
NG32 1PE

CONFIGURATION:
-

REV: A

FILENAME: Communication mast.dwg

SCALE A3 @ 1:50

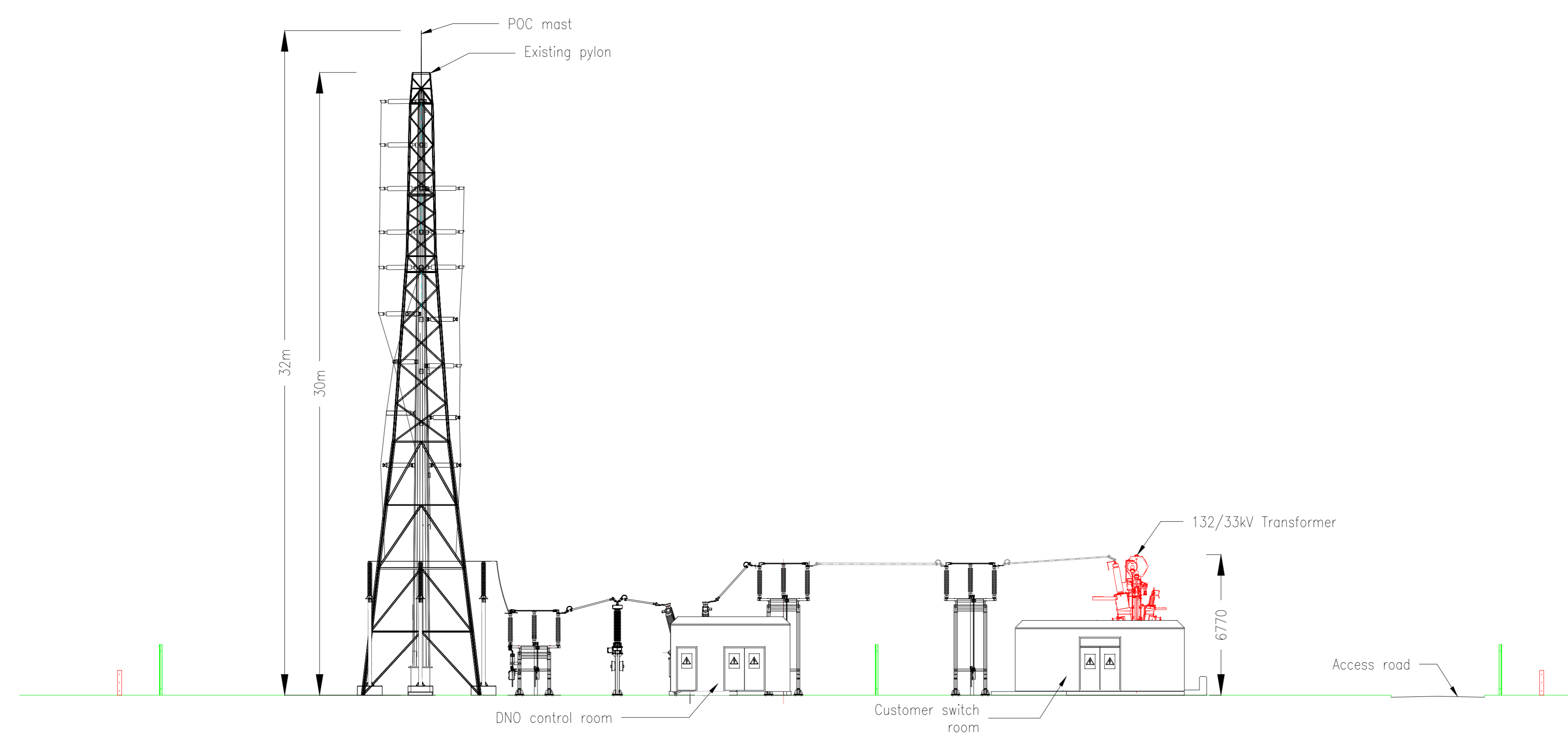
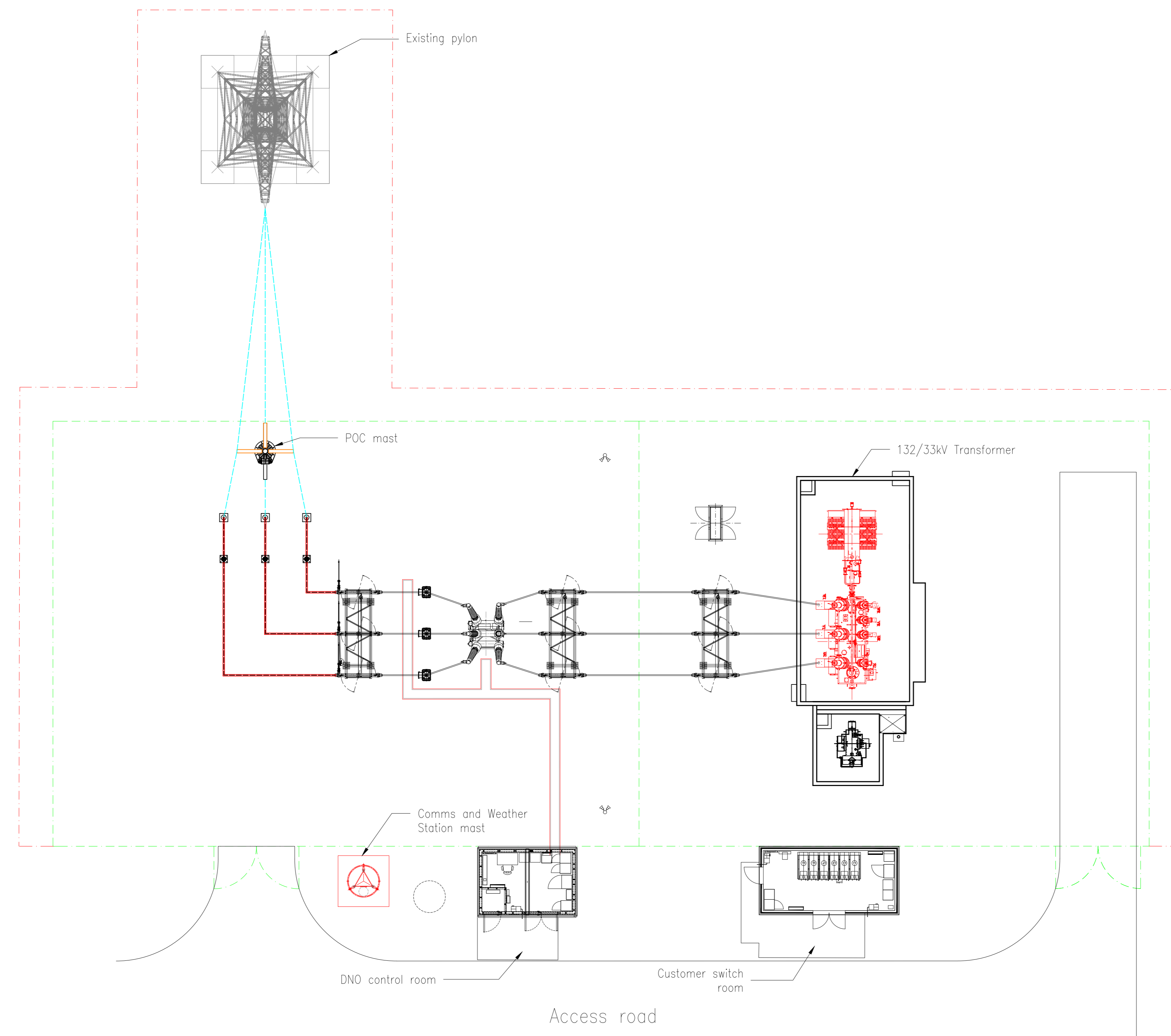
A horizontal scale bar with markings at 0, 400, 800, 1200, 1600, and 2000 units.

REVISIONS:

- Initial design

NOTES:

-



SCALE A1 @ 1:150



DATE: 20 October 2021

TITLE:
Compound Details

PROJECT TITLE:
Belvoir Compound Details

LOCATION:
NG32 1PE

CONFIGURATION:
-

REV: A

FILENAME: WPD JBM modified compound.dwg